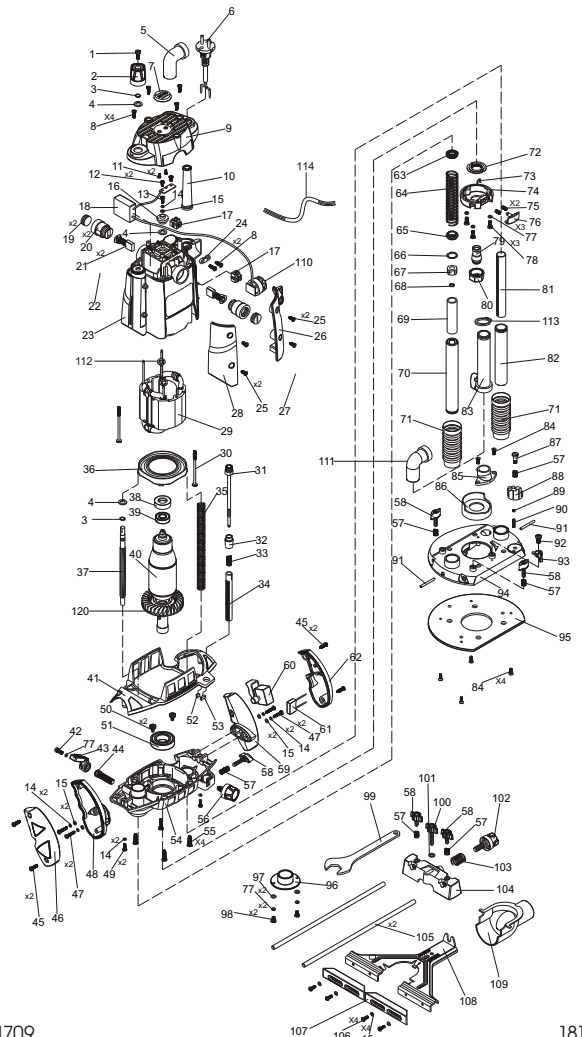


POS. No.	Ref.No.	Description
----------	---------	-------------

POS. No.	Ref.No.	Description
----------	---------	-------------

- 1 181600 Screw
- 2 181601 Micro-Adjustment knob
- 3 181602 Shaft retainer ring
- 4 181603 Flat Washer
- 5 181604 Dust Nozzle
- 6 181605 Cord set
- 8 181607 Screw
- 9 181608 Rear cover
- 10 181609 Cable sleeve
- 11 181610 Screw
- 12 181611 Screw
- 13 181612 Screw
- 14 181613 Spring Washer
- 15 181614 Flat Washer
- 16 181615 Mag Ring
- 17 181616 Clutch Cap
- 18 181617 Speed Controller
- 19 181618 Brush Holder Cover
- 20 181619 Brush Holder
- 21 181620 Carbon Brush
- 23 181622 Housing
- 24 181623 Cable Clamper
- 25 181624 Screw
- 26 181625 Right housing Cover
- 28 181627 Left Housing Cover
- 29 181628 Field
- 30 181629 Screw
- 31 181630 Depth-Adjustment Dialer Upper
- 32 181631 Depth-Adjustment Dialer Lower
- 33 181632 Depth adjustment Spring
- 34 181633 Depth adjustment Pole
- 35 181634 Spring
- 36 181635 Wind ring
- 37 181636 Micro-Adjustment Bolt
- 38 181637 Bearing Sleeve
- 39 181638 Ball Bearing
- 40 181639 Armature
- 41 181640 Middle cover
- 42 181641 Screw
- 43 181642 Lock Trigger
- 44 181643 Lock Screw
- 45 181644 Screw
- 46 181645 Left Handle Cover
- 47 181646 Screw
- 48 181647 Left handle Base
- 49 181648 Screw
- 50 181649 Screw
- 51 181650 Ball Bearing
- 52 181651 Rubber pin
- 53 181652 Rubber pin
- 54 181653 Lower cover
- 55 181654 Screw
- 56 181655 Depth adjustment knob
- 57 181656 Spring
- 58 181657 Special Screw
- 59 181658 Right handle Base
- 60 181659 Switch
- 61 181660 Capacitor
- 62 181661 Right handle Cover
- 63 181662 Spring Sleeve
- 64 181663 Spring
- 65 181664 Spring Sleeve
- 66 181665 Hole ring
- 67 181666 Micro-Adjustment Nut
- 68 181667 Shaft retainer ring
- 69 181668 End cap
- 70 181669 Guide Pole II
- 71 181670 Pipe
- 72 181671 Dust cover
- 73 181672 Shaft retainer ring
- 74 181673 Spindle lock base
- 75 181674 Spindle Lock Spring
- 76 181675 Spindle Lock Knob
- 77 181676 Spring Washer
- 78 181677 Screw
- 79 181678 Collet 8.0 X 205CE
- 79 185322 Collet 6,35 X 205CE
- 79 184702 Collet 12.0 X 205CE
- 79 185323 Collet 12,7 X 205CE
- 79 184701 Collet 6.0 X 205CE
- 80 181679 Collets nut

- 81 181680 Spring Sleeve
- 82 181681 Guide Pole I
- 83 181682 Dust pipe
- 84 181683 Screw
- 85 181684 Dust Entrance Tube
- 86 181685 Protect Cover
- 87 181686 Screw I
- 88 181687 Depth Adjustment Block
- 89 181688 Steel ball
- 90 181689 Spring II
- 91 181690 Spring pin
- 92 181691 Screw
- 93 181692 Protect Cover Lock Knob
- 94 181693 Base
- 95 181694 Base cover
- 96 181695 Guide ring
- 97 181696 Flat Washer
- 98 181697 Screw
- 99 181698 Wrench
- 100 181699 Butterfly bolt
- 101 181700 Flat Washer
- 102 181701 Fence Adjustment Knob
- 103 181702 Spring
- 104 181703 Fence base
- 105 181704 Fence Pole
- 106 181705 Screw
- 107 181706 Fence Front Plate
- 108 181707 Fence Bracket
- 109 181708 Fence Dust Nozzle
- 110 184130 VS DIAL
- 111 184131 DUST COLLECTION ADAPTOR
- 112 184132 RING TERMINAL
- 113 184133 CIRCLIP FOR SHAFT Ø16
- 114 184134 LEADER WIRE/INTERNAL
- 120 184698 Fan



181709

181710